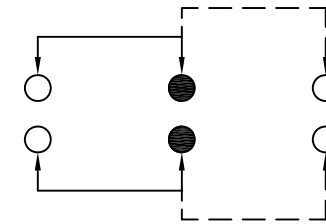
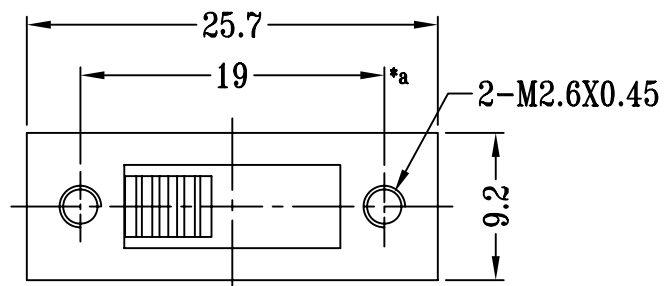
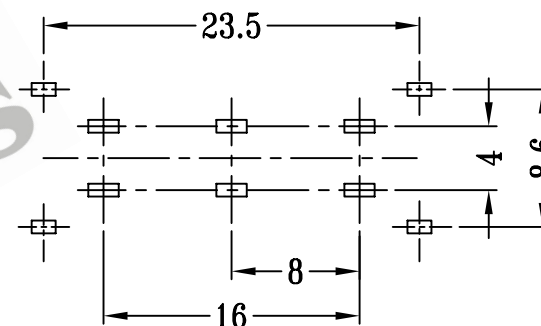
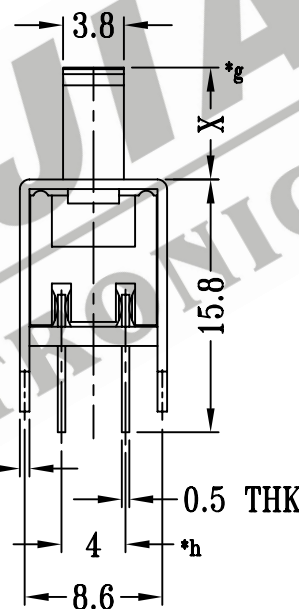
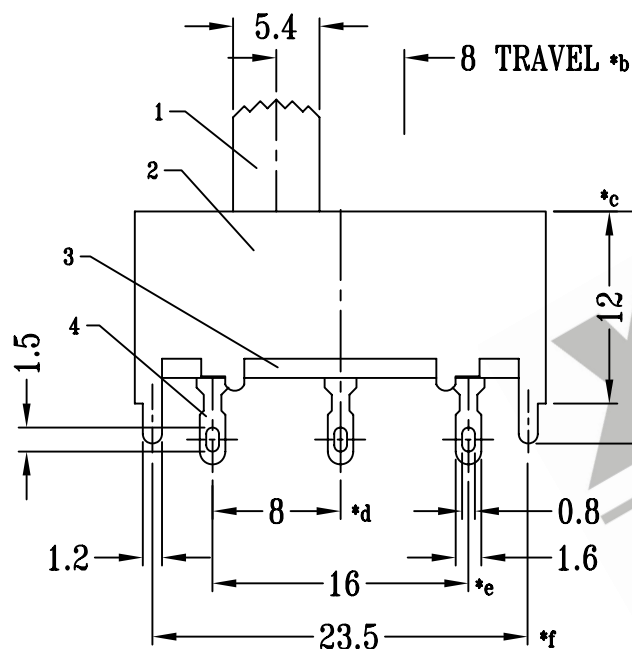


CAD FILE:



SCHEMATIC (SHORTING)



P.C.B LAYOUT

注:带"*"表示关键尺寸(8个)

NO.	PARTS	MATERIALS	Q'TY	FINISH	TOLERANCE UNLESS SPECIFIED	SHENZHEN XIEJIA ELECTRONICS CO.,LTD.						
8						ISSUE		DATE		DESCRIPTIONS OF REVISION	APPD.	
7	CONTACT (CLIP)	PBS STRIP	2	Ag PLATED	WITHIN: 1.5±0.1mm OVER: 1.5±0.2mm					TITLE: VERTICAL SLIDE SWITCH	UNIT: mm	DRWG NO.: XJ-DR-SS22P03-00
6	STEEL BALL	STEEL	2	NATURAL						MODEL: SS-22P03	SCALE: 2:1	DWN. ZHOUYU 2004-7-21
5	SPRING	STEEL WIRE	1	TEMPER								CHK'D FANGYING 2004-7-21
4	TERMINAL	BRASS STRIP	6	Ag PLATED OVER Ni PLATED								APPD. KANGXINAN 2004-7-21
3	TERMINAL BASE	PHENOLIC RESIN	1	BLACK						ALL MATERIALS MUST BE COMPLIANT TO ROHS		
2	FRAME	STEEL STRIP	1	Ni PLATED								
1	KNOB	POM	1	BLACK								